



OVERVIEW

Coolerado Corporation designs, manufactures, and markets highly energy-efficient air conditioners for commercial use. Our award-winning indirect cooling technology – the Maisotsenko Cycle – uses up to 90% less energy than the most efficient conventional systems. Our products have been verified by third parties, including the U.S. Department of Energy. We have over 2,500 installations in 26 countries.

WHY COOLERADO?

AIR QUALITY Our units deliver 100% fresh air while flushing out stale air and pollutants. Coolerado's ventilation rate exceeds ASHRAE's guidance for operating rooms or laboratory space, which prescribes changing the air out 4 times per hour.

HIGH EFFICIENCY We offer unsurpassed Operating Expenditure savings in any climate. Coolerado can help laboratory or hospital buildings reduce their cooling and ventilation bill up to 90%, which provides a fast return on investment.

LOW MAINTENANCE Fewer moving parts mean low maintenance costs.

CONNECTED LOAD Reduce power infrastructure Capital Expenditure investment by up to 50% or redirect power availability for critical business activities.

SCALABILITY Our simple modular design increases cooling capacity as your cooling demand grows in size or density.

SUSTAINABILITY GOALS Use less energy and reduce your carbon footprint without chemical refrigerants. Receive high IAQ and earn up to 36 potential LEED points.

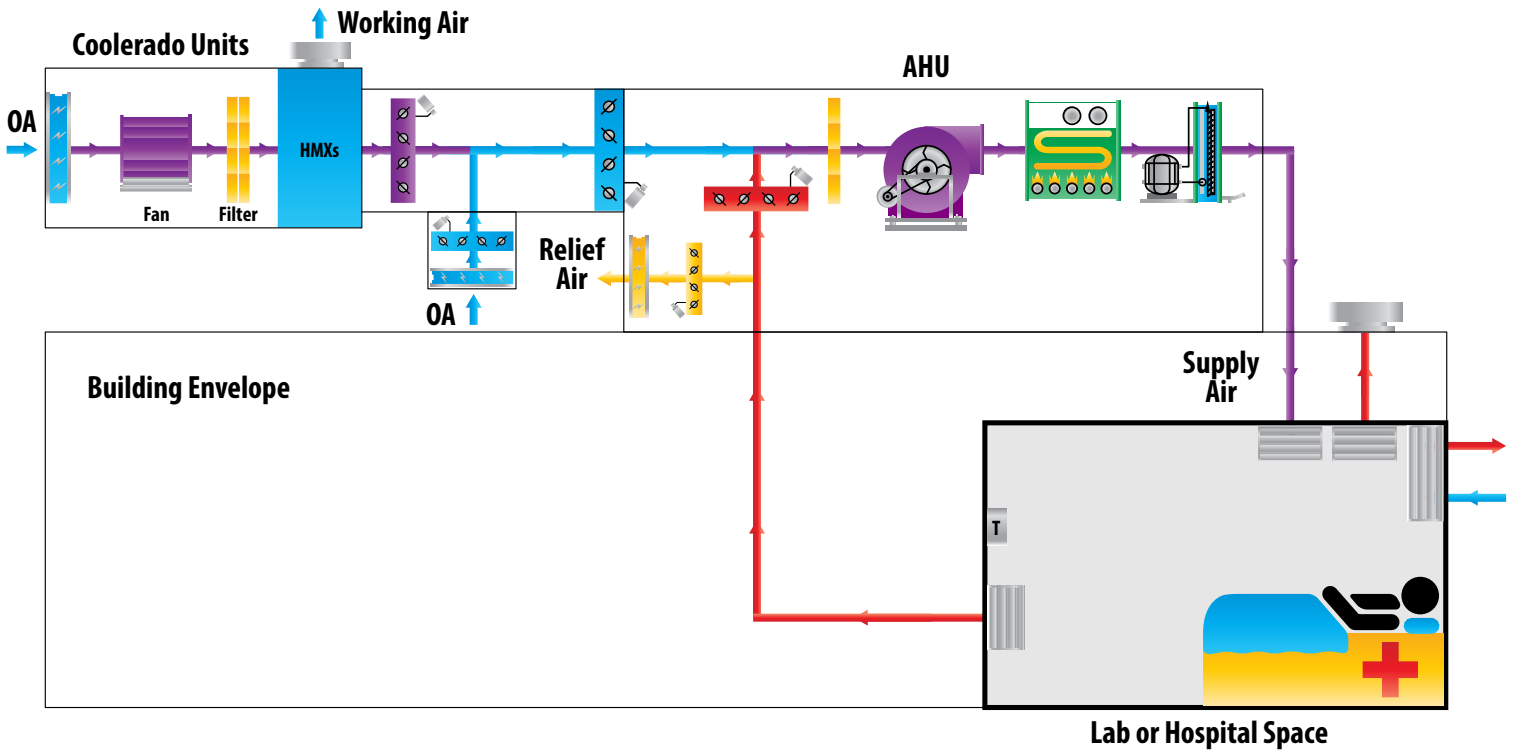
LAB SPACE ROI

Location:	DENVER, CO		PHOENIX, AZ		PALM SPRINGS, CA		LOGAN, UT	
Equipment:	Chiller/Cooling Tower	Coolerado	Chiller/Cooling Tower	Coolerado	Chiller/Cooling Tower	Coolerado	Chiller/Cooling Tower	Coolerado
Net Installed Equipment Cost:	\$185,610	\$245,000	\$185,610	\$245,000	\$395,140	\$528,360	\$223,790	\$264,090
10-Year Energy Cost:	\$220,432	\$50,307	\$263,861	\$60,219	\$837,630	\$515,180	\$312,820	\$86,330
Savings over 10 Years:		\$170,124		\$203,642		\$322,450		\$226,490
Savings %:		77%		77%		38%		72%
Payback Years:		2.29		2.29		3.18		1.43

HOSPITAL SPACE ROI

Location:	PHOENIX, AZ		PALM SPRINGS, CA		WASHINGTON, DC	
Equipment:	Chiller/Cooling Tower	Coolerado	Chiller/Cooling Tower	Coolerado	Chiller/Cooling Tower	Coolerado
10-Year Energy Cost:	\$438,051	\$273,401	\$698,250	\$467,184	\$528,368	\$431,643
Savings over 10 Years:		\$164,650		\$231,065		\$96,725
Savings %:		38%		33%		18%
Payback Years:		1.66		1.81		3.45

Coolerado Hospital and Lab Space Configuration



“ It’s expensive to operate a leading healthcare facility 24 by 7 and, as a non-profit, every one dollar of energy savings equates to saving 20 dollars overall for Intermountain Healthcare; that’s a huge impact.

Troy Jensen
Energy Efficiency Manager, Intermountain Healthcare

“ Widespread deployment of this technology in average-to-dry climates in the United States could have a significant positive impact on electric demand and ease the burden on the utility grid... This technology also has the potential to have a significant impact on an agency’s energy bills in terms of reducing both energy and demand costs.

FEMP Report
(Federal Energy Management Program); Technology Installation Review

“ The Coolerado units work well as a pre-cooler on hospitals because the product air never comes in contact with water. AIA Hospital Guidelines require elevated ventilation rates in operating rooms. We were able to utilize this to our benefit at the Logan Regional Hospital by integrating an array Coolerado M-50s into the existing air-handler’s economizer system. As a result, the chilled water valve only opens on a design day (warmest day of the year) and the hospital is able to operate its chillers at warmer temperatures, resulting in even more energy savings.

Ray Vernon
PE, LEED-AP BD+C, Associate Principal Mechanical Engineer,
Van Boerum & Frank Associates Inc. Consulting Engineers

